



Application

- Small, lightweight and portable
- Professional sound reinforcement
- Installed high quality sound reinforcement

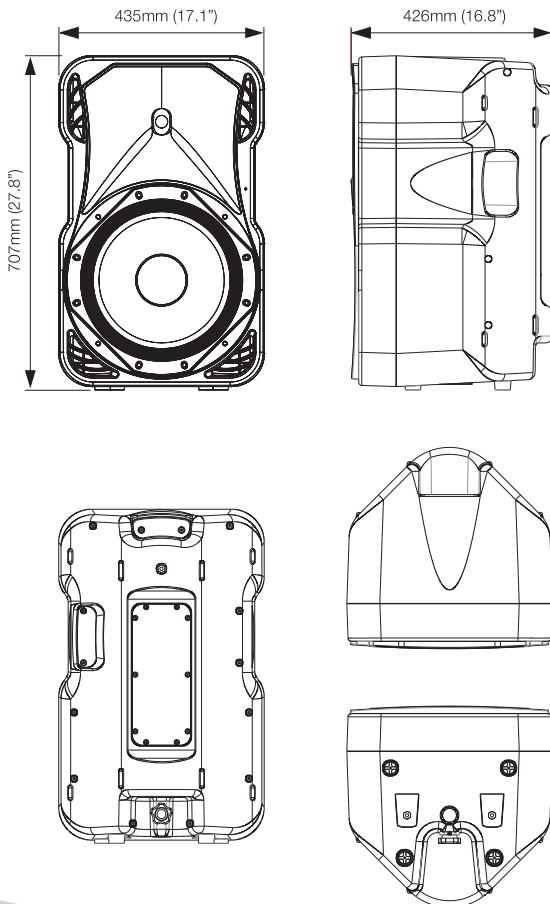
Features

- 15 inch woofer with large ferrite magnet structure
- 1" high output compression driver
- Fully optimised internal passive crossover network

The P.Audio X7-15P is a medium format passive, two-way sound reinforcement system. The design features a 15 low frequency woofer, and a 1" compression driver coupled to a large mouthed acoustic horn to provide good pattern control and acoustic loading for the driver. As a system, this combination features extremely high sensitivity and extended frequency response from an extremely small system.

The X7-15P is a passive design which features a fully optimised internal passive crossover, which is balanced for both flat frequency and phase response. The system features dual speakon inputs to allow easy daisy chaining of cabinets. The system impedance is rated at 8 ohms.

The X7-15P is an injection molded design, utilising the latest in plastics technology. A new kind of polypropylene has been employed to reduce weight, but retain the stiffness of the cabinet. The cabinet geometry is designed so that the enclosure may be placed on its side to perform as a stage monitor in high SPL environments. The cabinet features an integral 35mm top hat socket for loudspeaker stand mounting, and three M8 rigging points to rigging in a permanent installation. The system has been design for a variety of indoor applications, including small format DJ operation, acoustic acts and general purpose public address applications.



General Specifications

Type	Passive Cabinet
Woofer Size	15"
Woofer Voice Coil	2" (51.3mm)
HF Size	1"
HF Voice Coil	1"
Cabinet design	Plastic
Handles	1 Top 1 Side
Pole Mount	35mm Moulded In
Weight	TBC
Dimensions (WxDxH)	435x426x707 mm / 17.1x16.8x27.8 in

Acoustic Specifications

Sensitivity (1w/1m) (dB)	95dB
-3dB Response	55Hz - 16kHz
-10dB Response	50Hz - 20kHz
Power Handling (Watt)	300w Continuous
Maximum Continuous SPL (dB)	118dB
Maximum Peak SPL (dB)	124dB
Dispersion (HxV)	90x60

Electrical Specifications

Impedance	8 Ohms Nominal
Input	Speakon
Thru	Speakon